



Crane BevMax Classic Refresh Model 5800-4

ELEVATE THE CONSUMER EXPERIENCE LIKE NEVER BEFORE

INTRODUCING THE REDESIGNED BEVMAX CLASSIC

Only BevMax Classic has been designed to enhance the consumer experience and meet the operational needs of bottlers and vending operators.

- Same footprint as a standard stack unit
- Increased sales vs. stack units
- Easier to handle and transport
- Superior energy savings exceeds both Energy Star 4.0 standards with a green, environmentally friendly R290 refrigerant system
- One platform - two sizes - common parts
- Meets ADA and ANSI requirements

**Increase your revenue potential with
BevMax Classic**



**THE FUTURE OF
VENDING IS HERE**

RELIABILITY

The most reliable, dependable vending solution proven by independent 20,000 vend operating tests; 80,000 vend life-cycle tests and comprehensive field testing exceeding 238,000 vends.

VERSATILITY

Increase your sales and profitability by replacing an aging stack vender with a BevMax Classic. With a similar footprint as many stack machines, the BevMax Classic offers an alternative size for those accounts with space restrictions.

EFFICIENCY

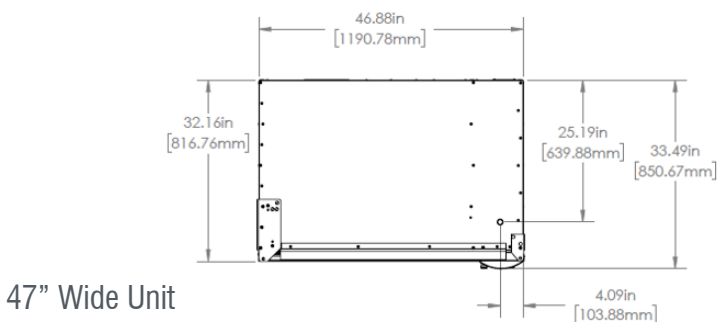
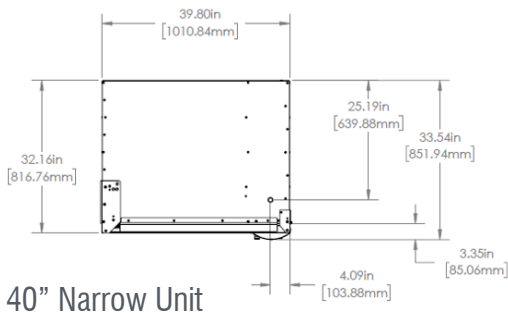
A “shimless” vend mechanism addresses costly labor and service concerns. Load any package in any position. Eliminate loading errors. Load fast with both hands. Bottles remain firmly in place (even if the machine is rocked).

SPEED

Who likes to wait in line? BevMax Classic delivers product in only 8 seconds. Faster delivery time increases sales, speed of service and customer satisfaction.

SIMPLIFIED MAINTENANCE

Low profile modular refrigeration platform removes from the front or the back of the machine.



40" Narrow Unit

47" Wide Unit

BEVMAX CLASSIC R290 SPECIFICATIONS

Model	Narrow	Wide
Height	72"	72"
Width	40"	47"
Depth	33.5"	33.5"
Weight	637 lbs	688 lbs
Electrical	115 VAC	115 VAC
	60 Hz	60 Hz
	7.5A	7.5A
Selection	35	45
Capacity (20 oz bottles)	280	360
Capacity (12 oz cans)	315	405

Available certifications: UL, cUL, FCC

Refrigeration: R290, Green Environmentally Friendly Refrigeration System with 1/3 HP Compressor

*7.5A for the R290 BevMax and 10.2A for the R134A BevMax

Learn more about BevMax Classic
www.cranems.eu